



# File Director™

## Quick Start Guide

NeoPath Networks, Inc.  
2171 Landings Drive  
Mountain View, CA 94043  
+1 650.691.7700 (Voice)  
+1 650.961.6108 (Fax)  
<http://www.neopathnetworks.com>

[support@neopathnetworks.com](mailto:support@neopathnetworks.com)  
+1 866-NEOPATH (+1 866-636-7284)

---

## Important Notice

NeoPath™ Networks File Director™

© 2005 NeoPath Networks. All rights reserved.

NeoPath and File Director are trademarks of NeoPath Networks in the U.S.A. and/or other countries.

All other company, brand, or product names used herein may be trademarks or registered trademarks of their respective companies or organizations.

Complying with all applicable copyright laws is the responsibility of the user. Without limiting the rights under copyright, no part of this document may be reproduced, stored in or introduced into a retrieval system, or transmitted in any form or by any means (electronic, mechanical, photocopying, recording, or otherwise), or for any purpose, without the express written permission of NeoPath Networks.

NeoPath Networks may have patents, patent applications, trademarks, copyrights, or other intellectual property rights covering subject matter in this document. Except as expressly provided in any written license agreement from NeoPath Networks, the furnishing of this document does not give you any license to these patents, trademarks copyrights, or other intellectual property.

The File Director is delivered with certain independent code that is licensed under the GNU General Public License (“GPL”), the GNU Library General Public License (“LGPL”), and/or other open source licenses (“Open Source Code”), and Open Source Code is licensed to Customer in accordance with the applicable open source license. You may obtain a copy of the GPL at <http://www.gnu.org/licenses/gpl.html>, and of the LGPL at <http://www.gnu.org/licenses/lgpl.html>. For a period of three years from the date of your purchase of the File Director, NeoPath Networks will at your request provide a copy of the source code for the code licensed under the GPL and LGPL, including any modifications made by NeoPath Networks. Notwithstanding anything to the contrary, to the extent that any of the terms and conditions of this Agreement conflict with any such open source licenses, the conflicting terms and conditions shall not apply to the corresponding Open Source Code.

For license and copyright information for third party software included with the File Director, see Appendix B, “Third-Party Software License and Copyright Information” in the *File Director Administrator Guide*.

The information in this document is subject to change without notice. NeoPath Networks shall not be liable for any damages resulting from technical errors or omissions which may be present in this document, or from use of this document.

Version: 1.0.7

Updated: April 2005

# Installing and Configuring the File Director

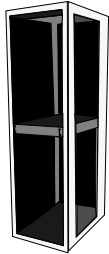
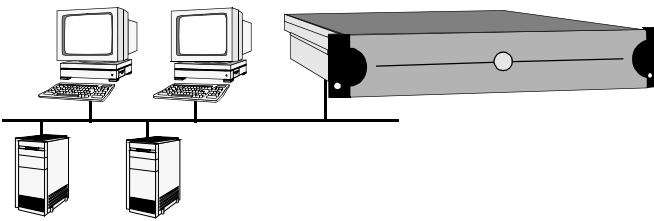
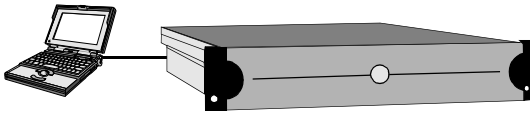
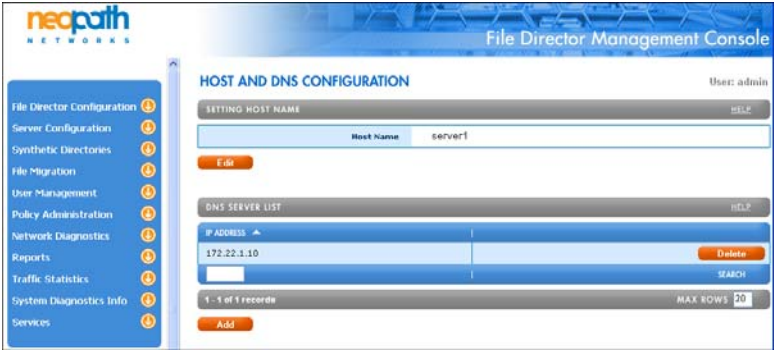
This *File Director Quick Start Guide* provides instructions for installing and initializing the File Director™ from NeoPath™ Networks.

## Audience

This guide is for Information Technology (IT) administrators who have experience installing and configuring network servers and equipment.

## How Do I Install and Configure the File Director?

To install and configure the File Director, complete the following four easy steps:

Steps	For more information, see
<p>1. Install the File Director in an equipment rack.</p> 	<p>“Installing the File Director in an Equipment Rack” on page 3</p>
<p>2. Connect the File Director to a network and power outlet.</p> 	<p>“Connecting the File Director to a Network and Power Outlet” on page 4</p>
<p>3. Initialize the File Director by using a terminal application on a serial console, or a monitor, keyboard, and mouse.</p> 	<p>“Initializing the File Director” on page 6</p>
<p>4. Configure the File Director for your environment by using the File Director Management Console in a web browser, or by using the File Director Command Line Interface (CLI) in a command window.</p> 	<p>“Configuring the File Director for your Environment” on page 8</p>

## Following Safety Precautions

When installing and connecting wiring to the File Director, be sure to follow these basic safety precautions to avoid injury to you or damage to the File Director:

- Read and understand all instructions.
- Do not restrict airflow through the fans or vents of the File Director.
- Connect the unit to a properly grounded and rated power supply circuit that meets the provisions of the current edition of the National Electrical Code, or other wiring rules that may apply to your location.
- Do not disassemble the File Director.

**Important:** The warranty is void if you open the cover of the File Director or disassemble it.

## Unpacking the File Director

After unpacking the File Director, you should have the following items:

- The File Director and 120 VAC power cord.
- The *File Director Quick Start Guide*.
- The *File Director Administrator Guide* and the *File Director CLI Reference Guide* (included on the File Director CD).
- The File Director CD, which contains the File Director guides as Adobe Acrobat files (.pdf). To install a free version of Adobe Acrobat Reader, see <http://www.adobe.com>.



*Neopath File Director*

## Contacting NeoPath Networks Technical Support

If any item is missing or you need technical assistance with the File Director hardware or software, call the NeoPath Networks Technical Support Department at +1 866-NEOPATH (+1 866-636-7284).

Before you call NeoPath Networks, make sure you know the Service Tag and the Express Service Code that uniquely identify your File Director hardware. Both of these identifiers are located on top in the front right corner of the File Director chassis. The Service Tag is also visible on a vertical bar code label above the purple mouse port on the rear panel of the File Director.

## Installing the File Director in an Equipment Rack

**Important:** Before you install the File Director in the equipment rack, record the Service Tag and the Express Service Code in a safe place where they can be easily retrieved in case the File Director requires a hardware service call.

Install the File Director in an equipment rack that has a 2U height and 19 inch width.

## Connecting the File Director to a Network and Power Outlet

After installing the File Director in an equipment rack, connect it to a network and power outlet.

The File Director includes a total of six 10/100/1000 Base-T (RJ-45) interface ports; two ports on the motherboard designated *eth0* and *eth1*, and four interface ports designated *eth2* through *eth5* on two network interface cards.

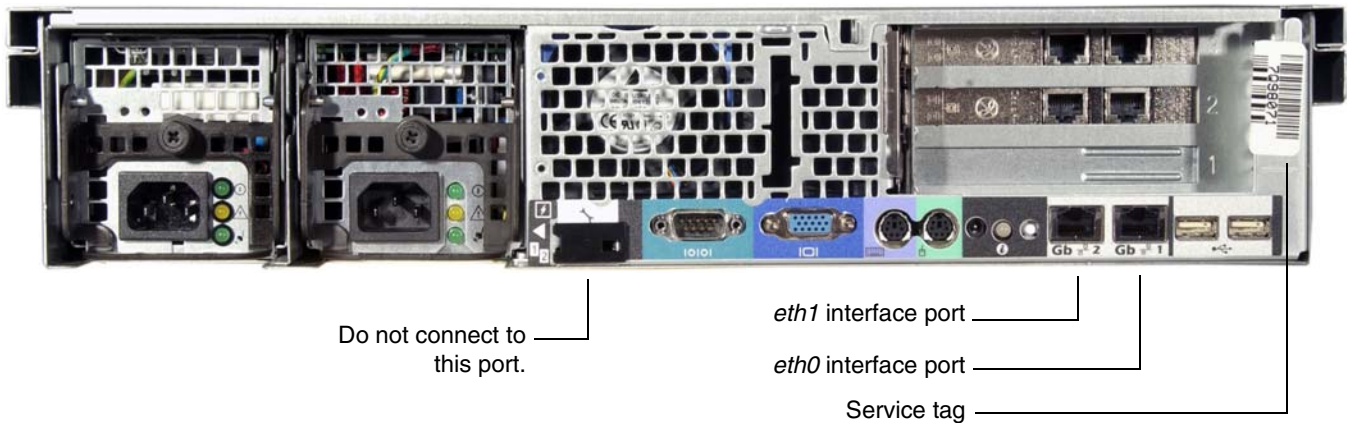
**Note:** The File Director can respond to requests from clients and servers on *all* interface ports. To provide the best availability of the File Director, you can use the following *recommendations* to connect the interface ports to your network. However, you can also connect the interface ports in whatever way is appropriate for your environment.

**Important:** During initialization, you can assign only one IP address to *eth0* on the motherboard. After completing the initialization, you must assign IP addresses to *eth2* through *eth5* by using the File Director Management Console or the Command Line Interface. For more information, see “Configuring the File Director for your Environment” on page 8.

To connect the File Director to a network and power outlet:

1. Connect the Ethernet cable from your clients’ subnet to the *eth0* interface port on the back of the File Director.

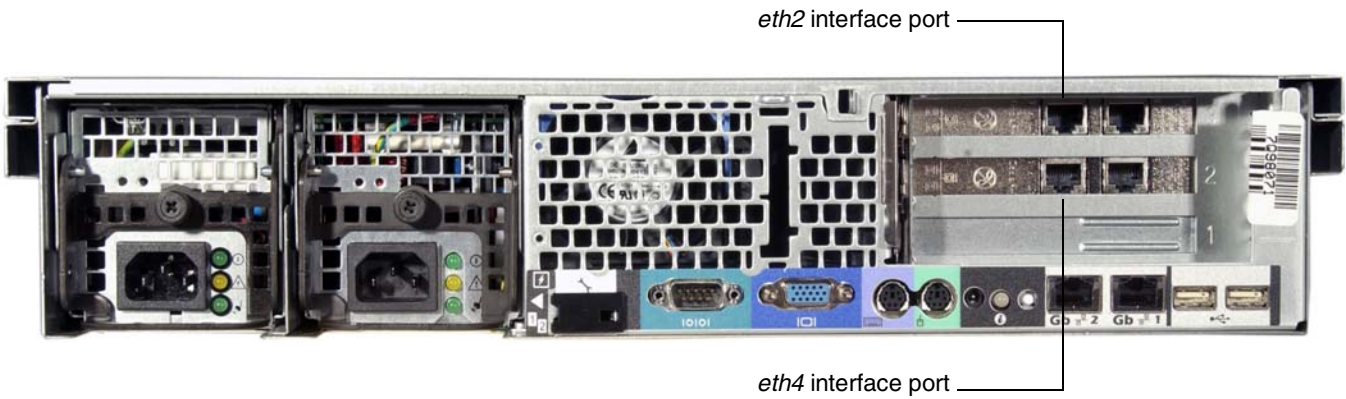
**Note:** You can ignore the Gb 2 and Gb 1 labels. File Director uses the internal interface numbers (*eth0* and *eth 1*) for these ports.



*The eth0 and eth1 interface ports on the File Director*

**Important:** If you are deploying a high availability cluster of File Directors, it is recommended that you use the *eth1* port to directly connect the cluster File Director nodes. For information on connecting and setting up a cluster, see Chapter 7, “Setting Up a High Availability Cluster of File Directors” in the *File Director Administrator Guide*.

2. Connect the Ethernet cables from your clients' subnets to the *eth2* and *eth4* interface ports on the back of the File Director.



*The eth2 and eth4 interface ports on the File Director*

3. Connect the Ethernet cables from your Network Attached Storage (NAS) file servers' subnets to the *eth3* and *eth5* interface ports.



*The eth3 and eth5 interface ports on the File Director*

4. Plug the power cable into a 120 VAC wall outlet and into the Power Connector on the back of the File Director.

## Initializing the File Director

Before you can use the File Director on an IP network, you must first initialize it with network settings, such as a host name, IP address, and netmask. This initial configuration is required so that you can later access and finish configuring the File Director over a network by using a Web browser or a command line interface.

**Note:** You can change all of the initial configuration settings later by using the File Director Management Console or the Command Line Interface (CLI).

You can initialize the File Director by using any of the following methods:

- Connect a monitor, keyboard, and mouse directly to the File Director.
- Connect a computer’s serial port to the File Director serial port via a serial cable.
- Connect a terminal and keyboard to the File Director serial port via a serial cable.

### Using a Monitor, Keyboard, and Mouse for Initialization

To use a monitor, keyboard, and mouse for initialization:

1. Connect a monitor, keyboard, and mouse to the monitor, keyboard, and mouse connectors on the File Director.
2. Turn on the Power switch on the File Director.

When you see a command prompt to log in, you can enter the initialization settings. For more information, see “Specifying the File Director Initialization Settings” on page 7.

### Using a Terminal Application for Initialization

To initialize the File Director by using a terminal application and serial cable:

1. Connect a 9-pin D-style, null modem cable from the serial port on a computer to serial port 1 on the File Director.
2. Start a serial terminal emulation application (such as HyperTerminal on Windows® or Minicom on Linux) on the host computer.
3. Set the communications settings in your terminal emulation application to the following values:

Setting	Value
Bits per second	9600
Data bits	8
Parity	None
Stop bits	1
Flow control	Xon/Xoff

4. Turn on the Power switch on the File Director.



5. Use the commands in the terminal emulation application to connect to the File Director.

When you see a command prompt to log in, you are ready to enter the initialization settings. See “Specifying the File Director Initialization Settings” on page 7.

**Note:** If the command prompt does not appear, send a break signal to change the File Director baud rate.

### Using a Terminal and Keyboard for Initialization

To initialize the File Director by connecting a terminal and keyboard to the serial port:

1. Connect a 9-pin D-style, straight-through modem cable from the terminal to serial port 1 on the File Director.
2. Turn on the Power switch on the File Director.
3. Connect to the File Director.

When you see a command prompt to log in, you are ready to enter the initialization settings. See “Specifying the File Director Initialization Settings,” next.

**Note:** If the command prompt does not appear, send a break signal to change the File Director baud rate.

### Specifying the File Director Initialization Settings

To specify the File Director initialization settings:

1. At the command prompt that appears after you turn on the File Director power switch, enter the following login name for the default File Director administrator account:  

```
admin
```
2. At the Host Name prompt, enter the host name and domain name you want to assign to the File Director. For example:  

```
server1.company.com
```
3. Enter the IP address you want to assign to the File Director.

This IP address must be unique and it will automatically be configured to have Local scope. That is, the IP address is local to File Director you are configuring. For more information on Local scope versus Cluster scope, see Chapter 7, “Setting Up a High Availability Cluster of File Directors” in the *File Director Administrator Guide*.

**Note:** Write down the File Director host name and IP address. You will need this information later to access the File Director for additional configuration.

**Important:** If you haven’t already done so, be sure to add the host name and IP address of the File Director to the list of hosts on the DNS server for your network.

4. Enter the netmask you want to assign to the File Director, or press Enter to accept the default value shown in brackets in the prompt.
5. Enter the IP address of the default gateway you want the File Director to use, or press Enter to accept the default value shown in brackets.

6. Enter the IP address of the DNS server that you want the File Director to access.
7. At the Password prompt, enter a password for the default administrator account on the File Director.
8. If the File Director is located in a time zone other than Pacific Standard Time, enter the number “1” to specify the correct time zone. Follow the on-screen prompts to select a location and time zone.
9. After reviewing the initialization settings for correctness, enter `c` and then `y` to confirm the settings.

The File Director starts its services with the new settings. When you see the Login prompt, you are ready to configure the File Director for your environment.

**Note:** If you want to change the settings you specified during the initialization process, you must use the File Director Management Console or the Command Line Interface. After the initial configuration, the only way to start the initialization process again is to use the `software factory_reset` CLI command to reset all configuration settings to factory values. For information on the CLI commands, see the *File Director CLI Reference Guide*.

## Configuring the File Director for your Environment

You are now ready to configure the File Director for your company or organization from any computer on the network that can access the File Director.

You can configure the File Director by using:

- The File Director Management Console in a web browser via HTTPS
- The Command Line Interface in a command window via SSH
- The Command Line Interface in a command window via a terminal or terminal application and a direct serial connection to the File Director
- The Command Line Interface in a command window via a monitor, keyboard, and mouse directly connected to the File Director

**Note:** The File Director automatically uses port 443 for HTTPS access by the File Director Management Console, and port 22 for SSH access by the Command Line Interface. For more information on ports that the File Director uses, see “TCP and UDP Port Specifications” in Appendix A, “Specifications for the File Director” in the *File Director Administrator Guide*.

At a minimum, you must do the following tasks to configure the File Director for your environment:

- If your clients and servers are on different subnets, or you connected the *eth1* through *eth5* ports, assign IP addresses to those ports. For more information, see “Configuring the File Director IP Addresses” on page 2-6 in the *File Director Administrator Guide*.
- Specify information about the file servers which have exports or shares that you want the File Director to access for clients. For more information, see “Setting Up the File Director to Access File Servers” on page 2-13 in the *File Director Administrator Guide*.
- Specify the names of the virtual servers and virtual exports or shares that you want the File Director to present to clients. For more information, see “Specifying Virtual Servers and Virtual Shares” on page 2-20 in the *File Director Administrator Guide*.

For complete information on these and other configuration tasks, see Chapter 2, “Configuring the File Director for Your Environment” in the *File Director Administrator Guide*.





NeoPath Networks, Inc.  
2171 Landings Drive  
Mountain View, CA 94043  
+1 650.691.7700 (Voice)  
+1 650.961.6108 (Fax)  
<http://www.neopathnetworks.com>

[support@neopathnetworks.com](mailto:support@neopathnetworks.com)  
+1 866-NEOPATH (+1 866-636-7284)

